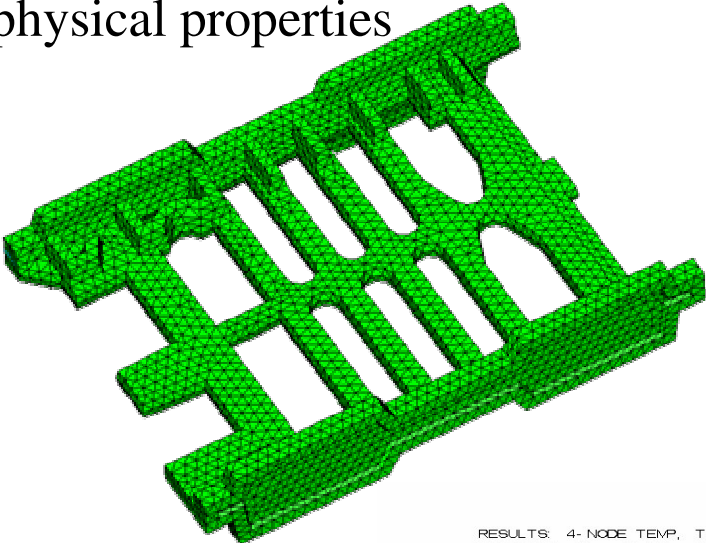
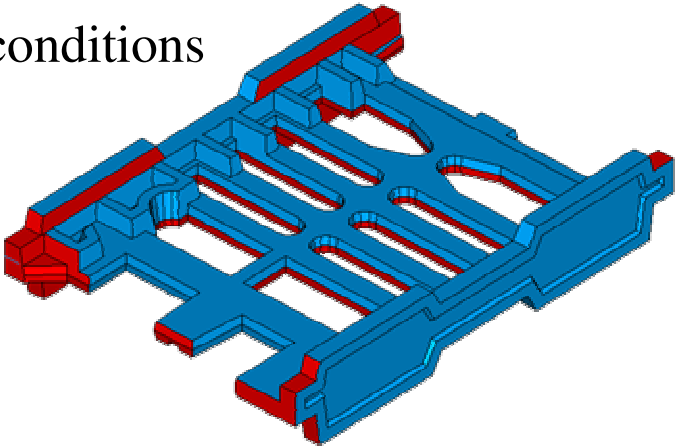


Meshing & Material
physical properties



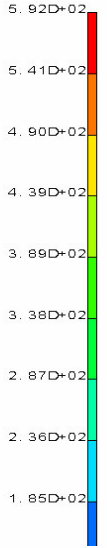
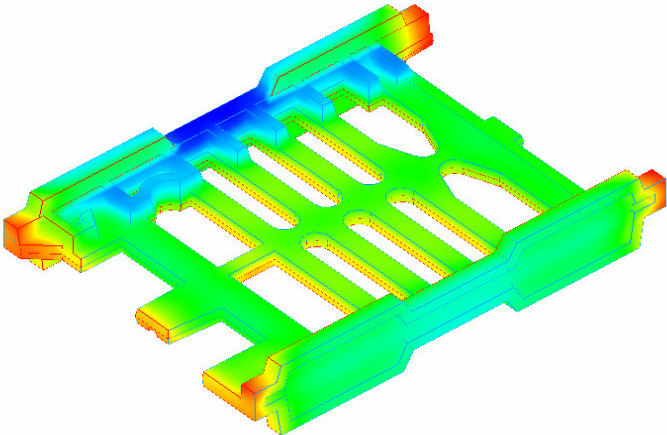
Thermal and air flow
external conditions



+

RESULTS: 4-NODE TEMP, T= 9.00000E+02 NODE TEMPERATURES, T= 9.00000E+02
TIME STEP: 0 TIME: 900.0
TEMPERATURE - MAG MIN: 8.37E+01 MAX: 5.92E+02 VALUE OPTION: ACTUAL

=

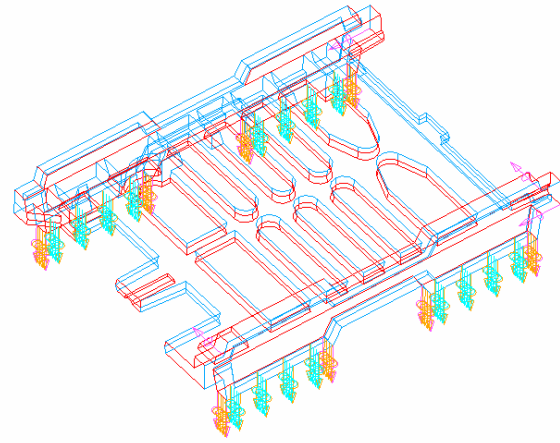
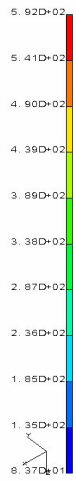
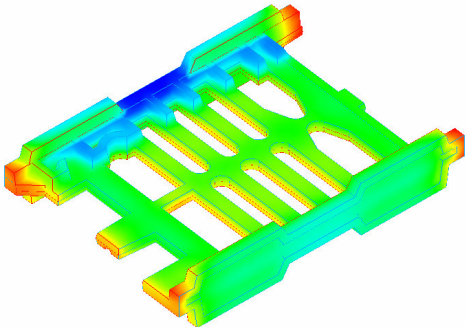


Temperature Map

RESULTS: 4-NODE TEMP, T= 9.00000E+02
TIMESTEP: 0 TIME: 900.0
TEMPERATURE - MAG M/N: 8.37E-01 MAX: 5.92E-02

NODE TEMPERATURES, T= 9.00000E+02

VALUE OPTI ON: ACTUAL

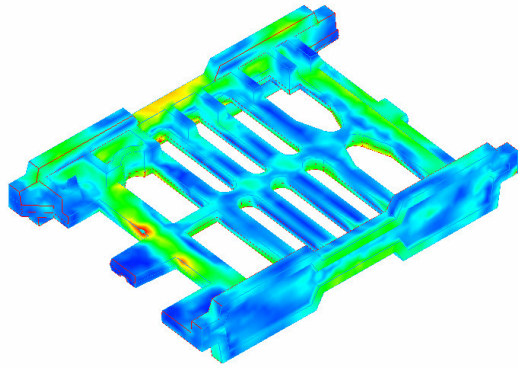


Meshing & Material
mechanical properties

Boundary conditions

RESULTS: 12- B.C. 1, STRESS_12, RESTRAINT SET 1
D:\local\model\slip_parg_u2.rtf
STRESS - YON M/S ES M/N: 1.35E-01 MAX: 1.49E+01
FRAME OF REF: PART

VALUE OPTI ON: ACTUAL



Strength and deformation
profile

DEFORMATION: 11- B.C. 1, DISPLACEMENT_11, RESTRAINT SET 1
D:\local\model\slip_parg_u2.rtf
DISPLACEMENT - MAG M/N: 3.38E-05 MAX: 5.81E-04
FRAME OF REF: PART

